

# FIREGLO FLUELESS

## INSTALLATION, SERVICING AND USER INSTRUCTIONS

**All instructions must be handed to user for safekeeping**

Revision A - 09/00

Country(s) of destination - GB/IE

This appliance is for use with Natural Gas (G20) only.

Focal Point Fires plc, Avon Trading Park, Christchurch, Dorset BH23 2BT

Tel: 01202 499330 Fax: 01202 499326

[www.focalpointfires.co.uk](http://www.focalpointfires.co.uk)

e-mail: [sales@focalpointfires.co.uk](mailto:sales@focalpointfires.co.uk)

CE  
plc

# ***INSTALLATION INSTRUCTIONS***

## **Preliminary Notes Before Installation**

This is a High Efficiency, Flueless, Inset Live Fuel Effect appliance. It provides radiant and convected warmth both efficiently and safely utilising the latest type catalytic converter burner technology.

The fire incorporates a thermostatically controlled gas valve which can be adjusted by the control knob on the front of the gas valve. The fire is designed to reduce its heat output as the temperature in the room in which it is installed rises. The main burner will automatically switch from low to pilot as the room temperature continues to rise. As the room temperature cools the main burner will switch from pilot to low and then adjust its input as required.

This fire incorporates a combustion monitoring system (Oxygen Depletion Sensor). It must not be adjusted or put out of operation. If replaced then manufacturers original parts must be used. The fire is designed to fit various types of situations as listed in the Installation Requirements.

This appliance must be installed in accordance with the rules in force and only used in a sufficiently ventilated space. A minimum of 100cm<sup>2</sup> (15.5 in<sup>2</sup>) purpose provided ventilation is required for this appliance, an openable window or louvre is also required. This appliance is factory set for operation on the gas type, and at the pressure stated on the appliance data plate.

The room size should be a minimum of 40m<sup>3</sup> (1412ft<sup>3</sup>) to allow adequate circulation of air and ensure the correct operation of the fire when installed in a living room. This volume may include adjacent spaces but these spaces must not be separated by a door. In order to convert from cubic feet (ft<sup>3</sup>) to cubic metres (m<sup>3</sup>) divide the room volume (in ft<sup>3</sup>) by 35.3. This appliance is intended as a secondary source of heat only, and should not be used in a room without some form of background heating present.

The appliance must not be installed in a bedroom, bathroom or any sleeping area. The appliance does not require a flue system of any type as the catalytic converter cleans the combustion products to provide a complete combustion system which is intrinsically safe.

The appliance must be installed by a competent person in accordance with Gas Safety (Installation and Use) Regulations 1998 or rules in force. It is strongly recommended that a CORGI registered engineer is used for this purpose as they are the only persons approved by the HSE under the above regulations.

This appliance is available in either a manual control version, or a battery powered remote control version. These instructions cover both control options. See the relevant sections of these instructions for further details.

On initial lightup of a new appliance, the 'newness' will burn off within the first few hours of operation. During this period some smoke may be emitted from outlet louvres, this should be no cause for concern. Accordingly, the room should be well ventilated during this period.

Read all these instructions before commencing installation.

<b>Section</b>	<b>Contents</b>	<b>Page No.</b>	<b>Section</b>	<b>Contents</b>	<b>Page No.</b>
1.0	<b>Important Notes</b>	1	8.1	Cable Fixing	9
2.0	<b>Appliance Data</b>	2	9.0	<b>Fuel Bed Layout</b>	9
3.0	<b>Installation Requirements</b>	2	10.0	<b>Fitting Decorative Hood/Frame</b>	10
3.1	Room Sizing	2	11.0	<b>Testing and Commissioning</b>	10
4.0	<b>Site Requirements</b>	2		Operating the Appliance ;	
4.1	Ventilation	3	11.1	Manual Models	11
5.0	<b>Unpacking the Appliance</b>	4	11.2	Remote Models	11
5.1	Component Checklist	4	11.3	Spark Failure	11
6.0	<b>Appliance Installation</b>	4	11.4	Setting Pressure	12
6.1	Preparing the Appliance	4	12.0	<b>Briefing the Customer</b>	12
6.2	Gas Supply Routes	5	13.0	<b>Servicing</b>	12
6.3	Installation Method 1	5	13.1	Cleaning the Coals	13
6.4	Installation Method 2	6	13.2	Servicing the Burner Tray	13
6.5	Installation Method 3	7	13.3	Pilot Assembly	13
7.0	<b>Gas Supply</b>	8	13.4	Catalyst	13
8.0	<b>Final Cavity Box Fixing</b>	8	13.5	Testing for Firebox Leakage	14
			14.0	<b>Troubleshooting Guide</b>	14

## 1.0 IMPORTANT NOTES

This fire is an Inset Live Fuel Gas Fire, providing radiant and convected warmth. It is designed to operate on Natural Gas following factory set adjustments, (see Data Plate on appliance for gas type and pressure).

It is the LAW that all gas appliances and fittings are installed by a competent person (such as a CORGI registered fitter) and in accordance with the Gas Safety (Installation and Use) Regulations 1998, the relevant British Standards for Installation, Codes of Practice and the Manufacturers' Instructions. The installation shall also be carried out in accordance with the following regulations:

The Building Regulations issued by the Department of the Environment, the Building Standards (Scotland) (Consolidation) Regulations issued by the Scottish Development Department.

*Relevant British standards insofar as the relevant areas are not covered by these instructions.*

*Note: For Republic of Ireland, reference should be made to the relevant standards governing installation. (IS 813: 1996)*

*Failure to comply with these regulations could lead to prosecution and deem the warranty invalid.*

*This appliance must be installed in accordance with the rules in force and used only in a sufficiently ventilated space. A minimum of 100cm<sup>2</sup> (15.5 in<sup>2</sup>) purpose provided ventilation is required for this appliance, an openable window or louvre is also required. To reduce the possibility of draughts entering the room via the air vent, we recommend the use of "Black Hole" or "Vortex" type vents featuring internal baffles.*

*Consult ALL instructions before installation and use of this appliance.*

*This appliance is free from any asbestos material. Refractories and coal bed are constructed from ceramic fibre.*

## 2.0

### APPLIANCE DATA

Gas Group	G20 Natural Gas CAT 12H
Inlet Pressure	20 mbar
Max Energy Input	Gross 3.0 kW Net 2.7 kW
Max Gas Rate	0.29 m <sup>3</sup> /h
Min Energy Input	Gross 2.1 kW Net 1.89 kW
Pilot Energy Input	Gross 166 W Net 150 W
Burner Pressure High	10.0 mbar. Hot 9.0 mbar. Cold
Low	4.8 mbar. Hot
Main Injector Burner	Stereo. Size 60 / Bray Cat 82 - 280
Gas Inlet Connection	8 mm compression
Ignition	Piezo spark
Spark Gap	4.0 mm (± 1.0mm)
Weight	23 Kg

*Please see Data Badge affixed to appliance for current data.*

*This appliance is for use only with the gas type, and at the pressure stated on the appliance Data Badge.*

## 3.0

### INSTALLATION REQUIREMENTS

The fire has been designed to be installed in two main applications; either to fit into a suitable opening created in the inner leaf of an outside wall or false chimney breast/extended fire surround built to conceal the appliance. The appliance can also be fitted into an unserviceable or inoperative fireplace served by a disused natural draught flue. It is recommended that the old flue should be partially sealed off to prevent draughts, however some ventilation will be required in the old flue to prevent condensation and dampness.

The cavity box and firebox must be installed onto a suitable non-combustible insulating surface at least 12 mm thick covering the entire base area of the box. The fire must be used with a back panel capable of withstanding 150°C minimum. Any combustible materials directly behind the fire frame (or back panel) and close to the cavity box of the fire must be removed and replaced with non-combustible material such as cement, brown-ing, 'Superlux' board or equivalent materials.

## 3.1

### ROOM SIZING

The room size should be a minimum of 40m<sup>3</sup> (e.g. 14'x14'x7'6") to allow adequate circulation of air and ensure the correct operation of the fire. To calculate a room size in cubic metres (m<sup>3</sup>) divide the room volume in cubic feet (ft<sup>3</sup>) by 35.3.

## 4.0

### SITE REQUIREMENTS

The appliance may be installed by one of the following methods:

1. Fitment against the inner face of a house wall with a suitably constructed false chimney breast or rebated fire surround to enclose the depth of the fire. If a timber false chimney breast is constructed, clearances and insulation must be as for a timber constructed wall.
2. Insertion into a purpose made opening in the inner leaf of a cavity wall or a disused conventional fireplace opening. Bridging the cavity may cause unwanted moisture to track to the inside of the house from the cavity and therefore should be avoided. Protection from moisture and falling debris above the cavity box should be provided. If in doubt consult local building control officers.
3. Installation into a timber framed house wall using clearances and insulation as described in the appropriate section. If in doubt, consult local building control officers.

The opening dimensions for inseting the appliance must be; **WIDTH** between 410 mm and 440 mm and **HEIGHT** between 560 mm and 580 mm high. The opening must be within these sizes for the full depth of the cavity box in non-combustible applications. Applications involving combustible materials e.g. timber battens in false chimney breasts, must use appropriate clearances and insulation methods as described in the relevant section of these instructions.

## 4.0 SITE REQUIREMENTS (continued)

Opening *DEPTH* must be 145 mm or greater. Opening *DEPTH* includes any plaster, cement or infill/back panels that form part of the installation.

In the event that the fire is sited in a disused or unserviceable fireplace served by a natural draught flue, any existing under grate draught device should be sealed off to prevent loss of heat or creation of draughts. The passageway into the flue should be partially sealed to prevent excessive draughts, however some ventilation will be required in the old flue to prevent condensation and dampness. Advice should be sought from your local building control officer.

If a concealed gas connection is to be made, the supply pipe should always be sleeved through walls and floors using the shortest possible route. It is possible to install the gas supply from the side of the hearth and round into the cavity but use only factory sleeved pipe. A length of no more than 1.5m of 8mm diameter pipe must be used to avoid unnecessary pressure drops.

The wall for the opening must be non-combustible or prepared as described in the relevant section. Bare plasterboard must be protected by non-combustible plaster or replaced with non-combustible material (e.g. Superlux board). Any gap between wall boards and the wall must be filled using glass fibre insulation, silicone mastic or similar material to prevent heat ingress.

If the appliance is to be installed as a 'hole in the wall' fire it does not require any hearth as such, providing it is mounted more than 150mm (6") above floor level. NOTE: Depending on the fret and trim type supplied with the fire, a suitable non-combustible ledge for placement of the fire front will be required.

The appliance requires a hearth with non-combustible surface of at least 12 mm thick, projecting 100mm from the front of the appliance. The top surface must be at least 50 mm above the surrounding floor level or be surrounded by a raised edge or fender 50 mm high.

Any type of fire surround used with this appliance must be adequately sealed to the wall and floor to prevent excess draughts from around the back of the fire. The temperature rating of any surround used must be 150°C.

A combustible shelf may be fixed to the wall above the fire, providing that it complies with the dimensions given below.

<i>Maximum depth of shelf</i>	<i>Minimum distance from hearth to underside of shelf</i>
180mm	850mm
100mm	790mm

The shelf depth may be greater but the height must also be increased accordingly. An increase in height of 25 mm is required for every 12.5 mm of additional shelf depth. For shelves that are too low protective devices can be used such as metal heat deflectors, but it must be assured that the shelf does not reach an unacceptable temperature before relying on such a solution. A non-combustible shelf may be fitted to within 100mm of the top edge of the fire frame, but any articles placed on it must also be tolerant of high temperatures.

Combustible materials such as wood may be fitted to within 100mm (4in) of either side of the fire frame / trim, providing the forward projection does not exceed 100mm (4in). Any combustible sidewalls must be at least 500mm to the side of the radiant heat source.

As with all heating appliances any decorations, soft furnishings and wall coverings (i.e. flock, blown vinyl and embossed paper) positioned too close to the appliance may discolour or scorch.

## 4.1 VENTILATION

A minimum of 100 cm<sup>2</sup> purpose provided ventilation is required for this appliance. An openable window or louvre is also required. The requirements of other gas appliances operating in the same room or space must be taken into consideration when assessing ventilation.

Any ventilation fitted must comply with BS 5871 part 2 and BS 5440 part 2 insofar as the relevant areas are not covered by these instructions. Ventilation fitted under or within immediate vicinity of the appliance must not be used as it may adversely effect performance of the ODS system. The appliance **MUST NOT** be installed in a bedroom, bathroom or any sleeping area. For Republic of Ireland, see relevant rules in force.

## 5.0 UNPACKING THE APPLIANCE

Stand the carton the right way up, cut the strapping bands and remove the top endcap. Read ALL these instructions before continuing to unpack or install this appliance.

Remove the box containing the cast front fret, and the box containing the ceramic coals and other ceramic firebed components. Remove the cardboard packing pieces and any other bags or boxes containing fittings or other parts. When all loose parts have been removed, the outer sleeve may be lifted off to reveal the appliance. Check that the components supplied against the component checklist. Please dispose of all the packaging materials at your local recycling centre.

## 5.1 COMPONENT CHECKLIST

<i>QUANTITY</i>	<i>DESCRIPTION</i>
1	Cavity box, firebox and burner assembly fitted with glass panel
1	Decorative frame
1	Hood
1	Cast front fret with separate ashpan door
1	Moulded ceramic fibre combustion matrix
4	Individual ceramic coals
1	Ceramic back pad
2	Sealing grommets
1	Cable fixing kit
1	Screw and rawl plug pack
1	Set of manufacturers instructions and warranty card

## 6.0 APPLIANCE INSTALLATION

*Note: Ensure that the gas supply is isolated before commencing installation of the appliance.*

The fireplace opening and environment must be in compliance with specifications laid down in the appropriate sections of these instructions.

## 6.1 PREPARING THE APPLIANCE

Remove the appliance from its carton as described previously and stand on a dustsheet. Remove the glass panel and place it and the coals, ceramics and fixings safely to one side.

Lay the fire on its back. Remove the firebox assembly from the cavity box by removing the fixings provided on the front of the firebox frame. Place the firebox to one side for the time being.

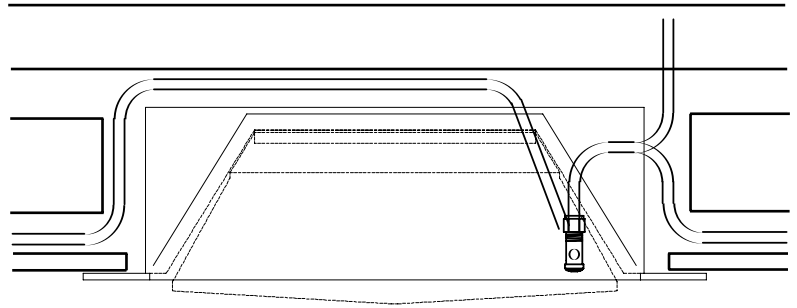
Knock out holes are provided in the rear and sides of both the cavity box and inner firebox for use where concealed pipework is required. Knock out the appropriate holes with a sharp tap from a hammer and fit the rubber grommets supplied. A small incision can now be made in the rubber to slip snugly around the outside of the supply pipe and sleeving.

*Note: Do not install or use the appliance without these seals in place.*

## 6.2 GAS SUPPLY ROUTES

The gas supply may enter the fire over the hearth or by concealed connection behind the fire.

Following preparation for the fixing method, the concealed gas supply (if required) can now be put into place. When the opening is ready for installation of the fire the gas supply can be routed (examples shown in the following diagram). If the gas pipe has been sleeved the ends of the sleeving must be sealed. The end of the 8mm pipe should be temporarily sealed to prevent the ingress of debris during fixing. An inlet restrictor elbow is supplied as part of the burner assembly to facilitate servicing.

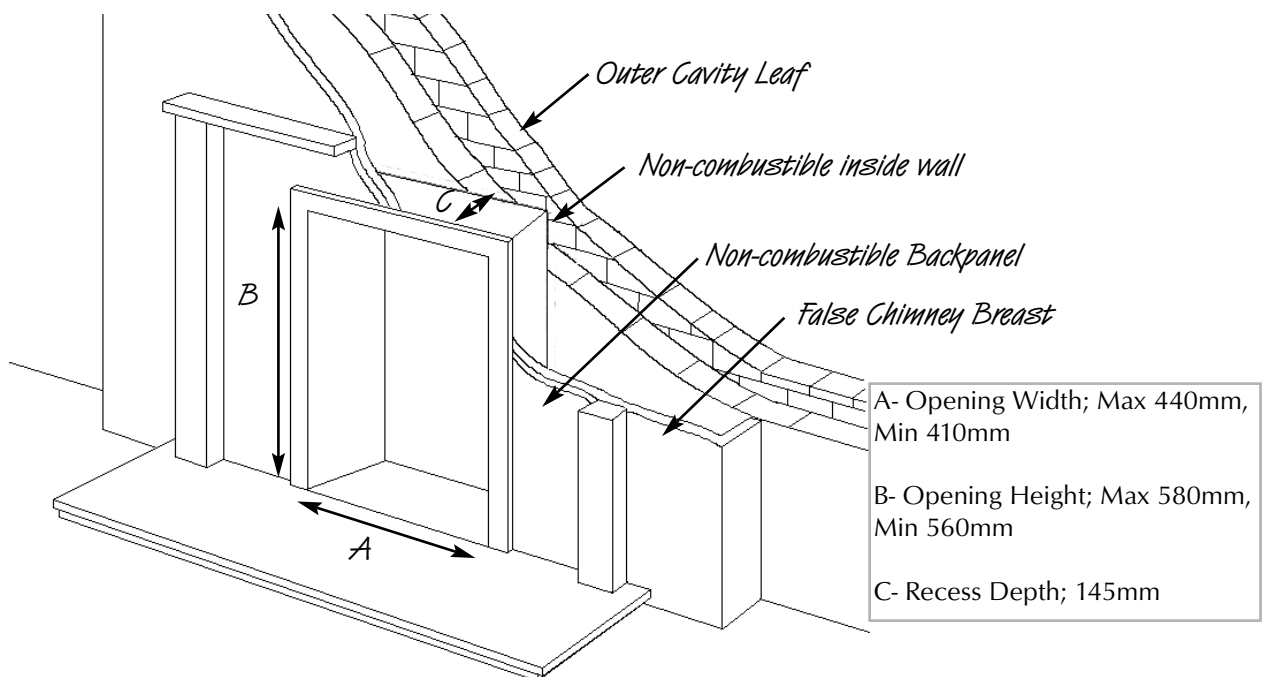


Concealed pipes should not be routed through walls without being protected by sleeving or conduit.

For Installation Method 1 (mounting against a wall) the supply can be routed in the normal manner. For Installation Method 2 (insetting into the inner leaf of a cavity wall) use only factory sleeved pipe in a continuous unjoined length in the cavity of the wall and areas that communicate with the cavity. This is a permitted gas supply pipe routing.

## 6.3 INSTALLATION METHOD 1 (against a non-combustible inside wall)

*This method requires no modifications to the internal wall of a property and is achieved by using either a surround with extended rebate or a false chimney breast of minimum 145mm internal depth.*

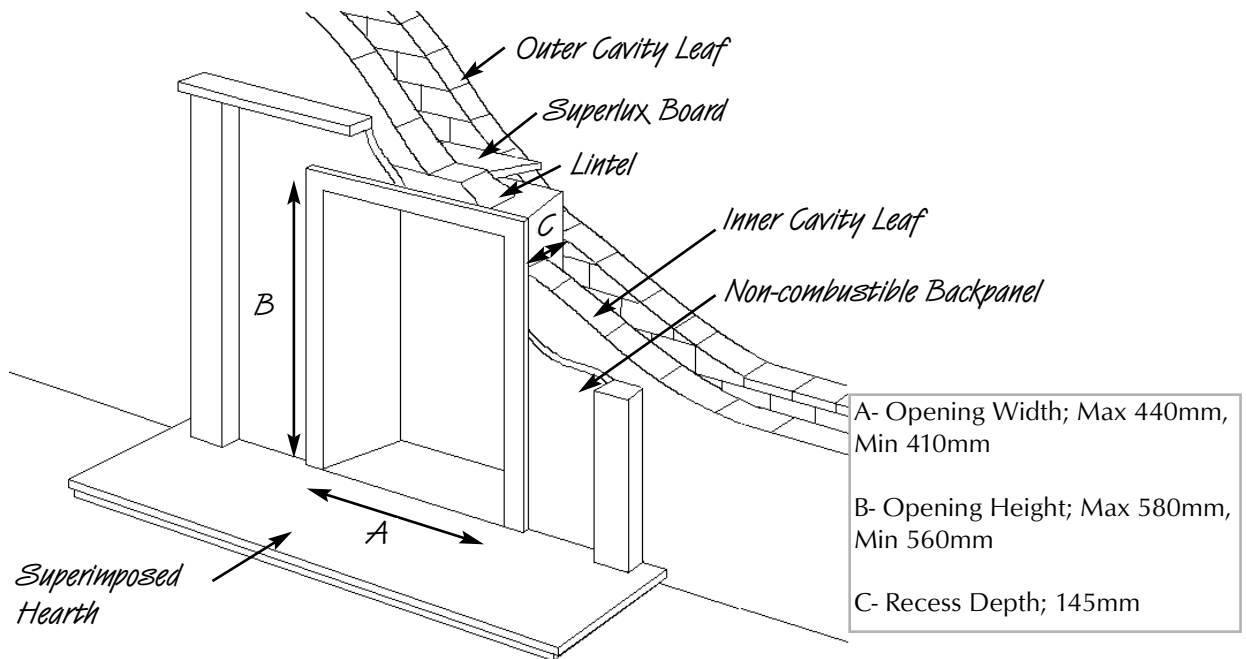


A false chimney breast should be installed, taking into account any guidance given in the section on timber framed buildings as far as insulation and clearances are concerned. As a general rule, when the false chimney breast is constructed from combustible materials the cavity box must be insulated with 50 mm of fibre glass wool or rock wool to the sides, rear and 100 mm to the top. It should also be fitted in a 'Superlux' box with an external height of 670 mm and a width of 529 mm.

Finally install the fireplace or fire surround and back panel/marble to its finished location.

## 6.4 INSTALLATION METHOD 2 (recessing into a non-combustible wall)

This method allows for installation of the appliance with the rear part recessed into the inner leaf of a cavity wall. This should enable a standard fire surround and back panel/hearth set to be fitted to the wall with the fire presented naturally in a flush fitted manner. The structural integrity of the wall must be maintained.

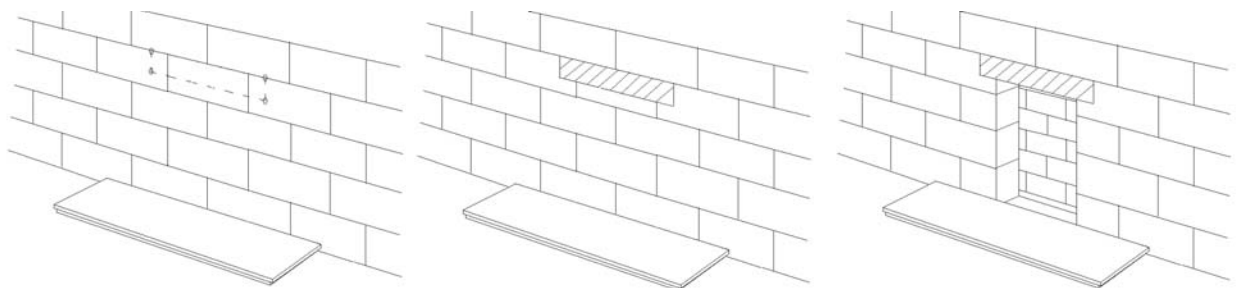


Check on cavity insulation type (if applicable). If cavity insulation is of a loose fill variety take precautions to prevent excessive loss of material when the inner leaf is opened up by packing the cavity firmly with a minimum 50mm of rockwool or glass fibre. This will hold back any loose material now or in the future.

To maintain the structural integrity of the wall it is recommended that a suitable lintel is fitted. It is sometimes possible to install this appliance without a lintel depending on the type of wall but the guidance of a qualified professional or local building control officer is essential to confirm this.

Mark out the area of the proposed fireplace opening on the wall. Obtain a suitable concrete or steel lintel from a builder's merchant. Drill four holes at the corners of the lintel position and squarely over the fireplace opening, if possible centrally under a block joint. Clear out the block work in the area and insert the lintel by saw, or stitch drill and chisel. Do not dry bed the lintel - always bed on mortar and securely slate pin. Clear out the block work from below the lintel to form the opening for the cavity box of the fire to be inserted.

The top of the exposed area of cavity must be sealed against the ingress of moisture dripping from above. The best way to do this is a cavity tray but an easier and quicker method is to affix a 'Supalux' or equivalent board into the cavity. Slope the board towards the outside wall and support with screws, cement, 'Unibond' or silicone mastic etc. This will harmlessly guide all moisture to the outside wall. The exposed sides of the cavity must be packed with a good depth (minimum 50mm) of glass fibre or rock wool to prevent draughts and heat loss even if no loose fill material is present. It is good practice to insulate the rear of the fire from the cavity to prevent heat loss and condensation.



The non-combustible hearth may now be put in place. Again this should not bridge the cavity where it projects into the wall space. Finally install the fireplace or fire surround and back panel/marble to its finished location.

## 6.5 INSTALLATION METHOD 3 (timber framed buildings)

Where removal of any part of a timber frame is undertaken the structural integrity of the wall must be retained. The advice of your local building control officer should be sought. If the property is under any NHBC warranty it is also advised that their advice on this kind of modification is sought.

Either of the two preceding installation methods may be adapted for timber framed buildings, providing extra care is taken in ensuring combustible materials are adequately protected from the effects of heat.

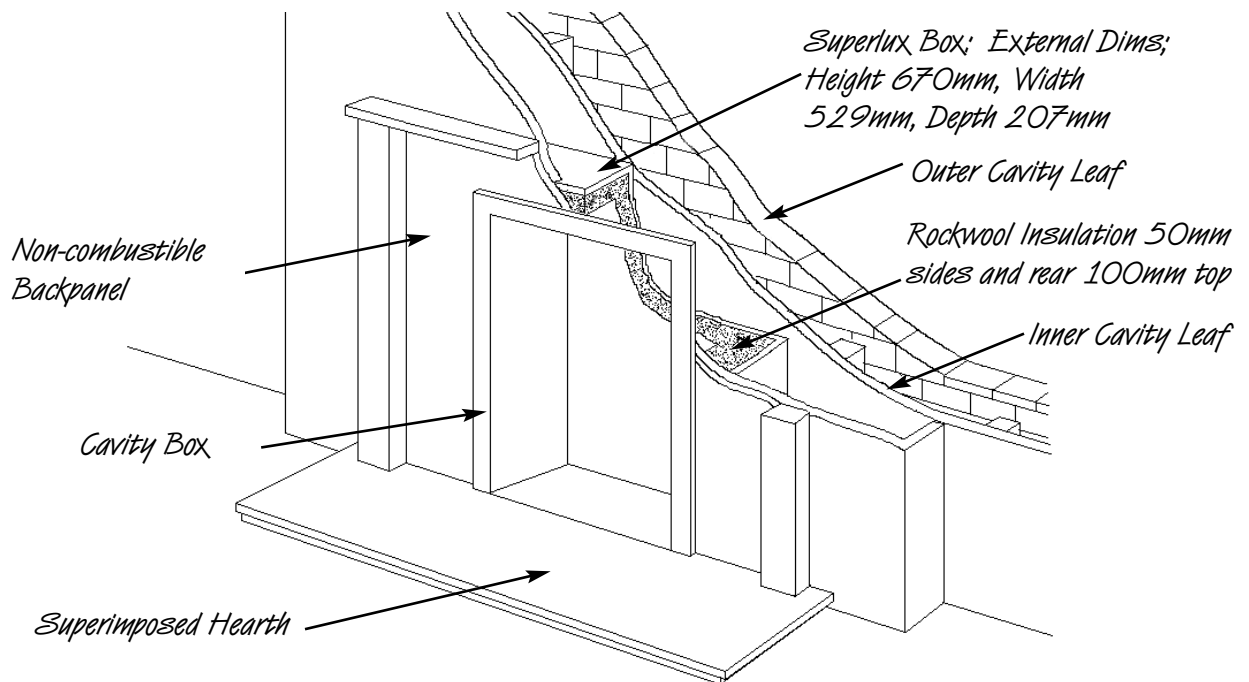
The appliance must be installed in accordance with the British Gas documents DM2 and DM3 or the Institute of Gas Engineers published procedure document IGE/UP/7.

Special attention must be paid to the location of studwork frames of the inner leaf and the appliance positioned accordingly. Wires and pipes that run within the wall must also be taken into account.

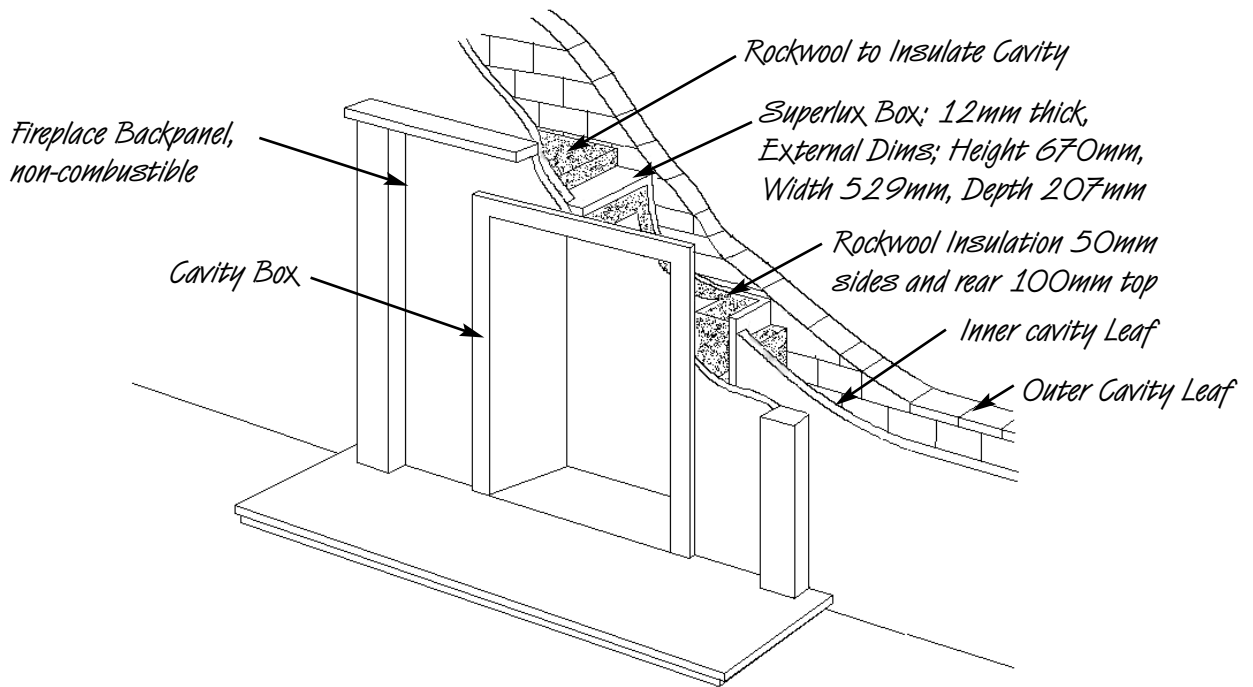
### *Installation as per method 1 (against inner wall)*

When using this method of installation the following amendments should be incorporated.

50mm insulation (e.g. rockwool) plus a 12 mm thick fire retardant board, 'Superlux' or equivalent, must be provided between combustible materials and the sides and rear of the cavity box. 100 mm of insulation (e.g. rockwool) plus a 12 mm thick fire retardant board, 'Superlux' or equivalent, must be provided to the top of the cavity box. It is also a good idea to enable as much airflow into and out of the area behind the fire as possible without excessive heat losses when the fire is off.



## 6.5 INSTALLATION METHOD 3 (continued)



### *Installation as per method 2 (recessing into a wall)*

When setting the appliance into the wall find a suitable position between frame timbers and open up the hole. Secure back the damp proof membrane to prevent ingress of damp.

Again 50mm insulation plus a 12 mm thick fire retardant board, 'Superlux' or equivalent, must be provided between combustible materials and the sides and rear of the cavity box. 100 mm of insulation plus a 12 mm thick fire retardant board, 'Superlux' or equivalent, must be provided to the top of the cavity box. The exposed cavity should be sealed off using non-combustible board, ('Supalux' or equivalent), made into a 4-sided box. It is also good practice to further insulate the cavity with a 50mm layer of Rockwool outside the Superlux box. Note that the appliance should not be allowed to bridge the cavity in this installation method. It is also a good idea to enable as much airflow into and out of the area behind the fire as possible without excessive heat losses when the fire is off.

## 7.0 GAS SUPPLY

When the opening is ready for installation of the fire the gas supply can be routed via knockout holes (examples are shown in the diagram shown in section 6.2).

Temporarily fit the cavity box and offer up the firebox assembly to ensure a suitable gas route can be achieved.

## 8.0 FINAL CAVITY BOX FITTING

If not previously carried out, insert the cavity box into the opening and mark the screw locations required for fixing. Remove the cavity box and drill the previously marked holes in the opening or constructional hearth area and fit rawl plugs.

Carefully insert the cavity box into the opening and guide the gas pipe through the sealing grommet into its final routing position and fit the restrictor inlet elbow supplied to the gas pipe. Secure the cavity box by inserting screws in the previously prepared locations.

The cavity box may also be fitted using the cable fixing kit supplied as detailed in the next section.

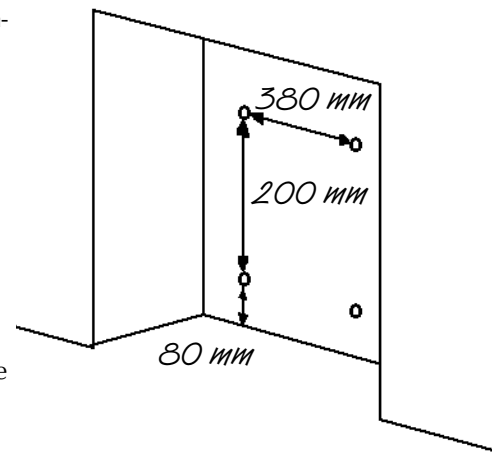
## 8.1 CABLE FIXING

When using this method for fixing, the minimum depth of the opening must be increased from 145 mm to 175 mm. This is to allow for the eyebolts and a space for the cable tensioning.

Drill four holes as shown in the diagram and fit the fibre rawlplugs. If the fireplace does not allow for the exact layout shown, the eyebolts should be fixed to give as similar a configuration as possible. Thread both tensioning cables through the holes at the top of the cavity box then through both eyelets and back through the lower holes in the cavity box.

Push the cavity box back into the fireplace, centralise, pull the loose cables through the holes and into the bottom of the cavity box.

Thread the cable tensioners onto the cables with the nuts screwed down close to the tensioner head. Slide the screwed nipple onto the cable, pull cable taut and tighten nipple. Adjust tensioner using a suitable spanner to pull the appliance back into position, to allow an even pull around the fireplace opening. Visually inspect and repeat if necessary to achieve a good fit.

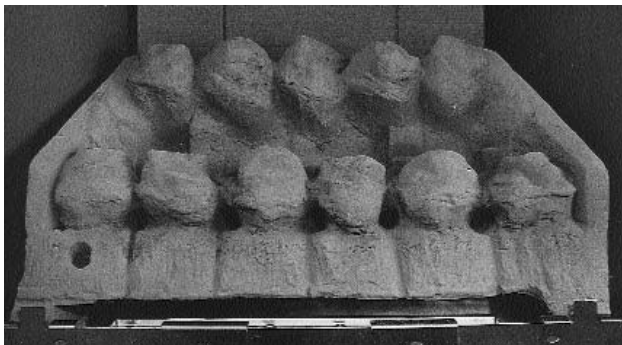


**Note: Surplus cable MUST NOT be cut off, as this will prevent proper installation after servicing. Coil up the surplus cable and tuck the coils out of the way.**

Fit the firebox assembly into the cavity box securing with the fixings originally removed. Purge the gas supply thoroughly to purge any air or grains of dirt. Now connect the restrictor elbow to the inlet pipe of the fire tray and tighten the gas connection. Pressurise the gas supply and test properly for soundness in accordance with current Approved Codes of Practice.

## 9.0 FUEL BED LAYOUT

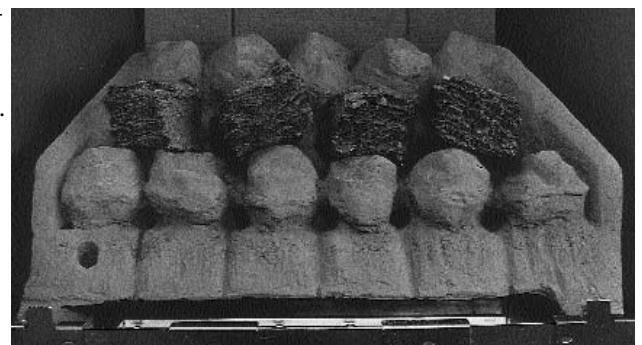
Place the brick panel against the rear of the firebox.



Place the ceramic combustion matrix onto the burner. Ensure that the hole for pilot flame viewing is clear and easily visible.



Place the row of 4 square coals onto the matrix, equally spaced across the width of the fire. They may be at any rotational orientation desired. Corners or rough edges MUST NOT be allowed to enter the flame ports.

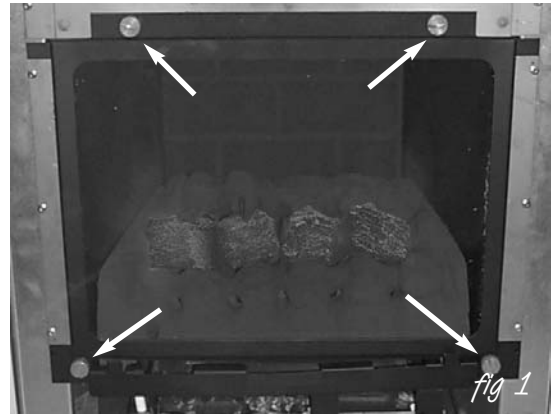


## 9.0 FUEL BED LAYOUT (continued)

*Note: The coals must not be inserted into the holes in the matrix. A well laid out, generously spaced coal layout will give the best results.*

Fit the glass door assembly with the 4 screws provide in the positions indicated (fig. 1). Ensure that the screws are tightened so as to achieve a good seal between the glass frame gasket and the firebox.

**SPECIAL NOTE:** Evaluate the flame picture with the glass door in place, paying particular attention to any flames that play onto the firebox sides or forwards toward the glass door. If this is the case, turn the control knob to the OFF position and allow the fire to cool. Remove the glass door, and adjust the coals accordingly. This will reduce the possibility of heat discolouration. Be careful not to handle the coals with bare hands as they quickly absorb heat. It is always best to spend a little extra time at this point to get the flame picture right than to have queries from a customer at a later date. The main factor affecting flame picture and balance is coal layout.



The fire is designed to operate correctly with the coals supplied when assembled according to the instructions. Never add to the four coals or change them for a different type. Never put combustible or non-combustible materials, rubbish or other matter into the fire. Please note that it takes approximately 15 minutes for the full flame effect to be achieved.

## 10.0 FITTING THE DECORATIVE FRAME AND HOOD

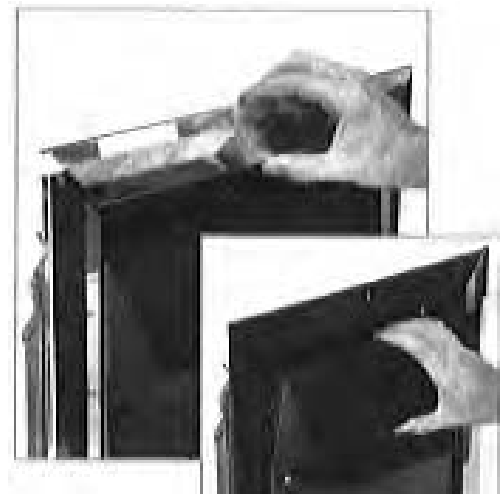
The appliance is supplied with a decorative frame and hood.

A plastic protective coating may have been applied to the face of the frame assembly; which must be removed at this stage.

The frame attaches to the firebox either as a single unit retained by magnets.

Place the fire fret casting in front of the fire with the ashpan door beneath. Align centrally with the firebox.

Fit the convector hood to the firebox by engaging the two mounting hooks into the relevant slots in the firebox. The hood should be pressed inwards and downwards to secure into position.



## 11.0 TESTING AND COMMISSIONING

As previously mentioned, firstly turn on and test the gas supply up to the fire for any leaks, in accordance with current Approved Codes of Practice (ACOPs).

## 11.1 OPERATING THE APPLIANCE - MANUAL CONTROL MODELS

The pilot is visible through a viewing hole in the left hand side of the matrix.

Turn the thermostat knob to position 6

Turn control knob slightly left towards the ignition position until reaching the stop, press down and hold for 5 seconds (only pilot gas is flowing)

Continue pressing down the knob while turning further to the left to activate the piezo spark, continue to hold the knob down for a further 10 seconds after the pilot has been lit. If the pilot does not light repeat the previous steps.

Upon lighting and after the further 10 seconds, release the knob and turn further to the left to the ON position. The main burner will light and be controlled in accordance with the thermostat knob setting. Adjust the thermostat knob to the desired setting. The higher the number, the higher the room temperature will become prior to the fire reducing its heat input. The thermostat knob does not permanently turn the fire on or off.

The fire will operate between maximum and minimum temperature settings, however if the room temperature continues to rise the main burner may switch off. As the room temperature then falls the main burner will light again.

If the pilot is extinguished during use of the fire, you MUST wait ten minutes before repeating the ignition procedure. To turn the main burner OFF whilst keeping the pilot flame lit, turn the control knob to the pilot position then only the pilot will remain lit.

To shut the fire off completely, press the knob down and continue turning to the right from the pilot position to the OFF position. A safety interlock prevents re-ignition of the pilot flame until the thermocouple has cooled sufficiently to allow the magnetic valve unit to reset itself.

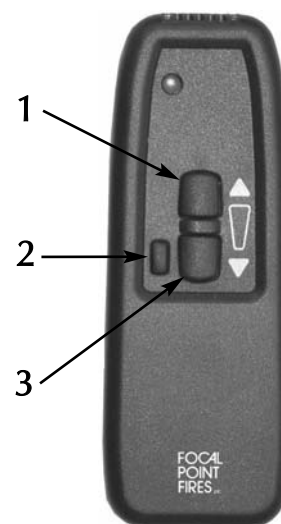


## 11.2 OPERATING THE APPLIANCE - REMOTE CONTROL MODELS

The fire may be operated in exactly the same way as manual control models - see previous section. For added convenience a remote control handset is also provided. This unit may be used to adjust the thermostat setting of the fire between high setting (6) and low setting (1). It does not permanently turn the fire on or off.

The remote control handset incorporates an inbuilt safety feature to prevent the main burner being activated or turned up accidentally. It is necessary to press button 1 and 2 (see illustration) simultaneously to turn the fire up.

To turn the fire down press button 3 only.



## 11.3 SPARK FAILURE

The gap between the spark electrode and the pilot should be 3 - 5mm to produce a good spark. There should be no need to adjust this. If under any circumstances the piezo electric spark fails, the pilot cannot be lit manually.

## 11.4 SETTING PRESSURE

*Important Note: Detach the thermostat from its mounting brackets and immerse in cold water. This will prevent room temperature from adversely affecting pressure reading.*

Remove the screw from the pressure test point (situated on the main burner supply pipe, protruding from between the gas valve and the fire tray) and attach a manometer. Light the fire and set the thermostat to the maximum setting (6).



The burner pressure should be in accordance with the figures stated in the data section of these instructions. The fire is factory set to achieve these pressures and any significant variation could indicate a supply problem. If the pressure is too high, the gas supply meter may be set incorrectly. This should be checked with the fire running and if necessary reset by the gas supplier.

If the burner pressure is too low, then check the meter governor pressure with the appliance running. If this is less than approximately 20mbar it will need to be reset by the gas supplier. If the setting pressure is too low but the meter pressure is acceptable, then a problem in the supply pipework is to be suspected. This will be dirt and debris, kinked or inadequate size pipes, restriction in a fitting, shut off elbow not fully open or solder flashing across a joint. Switch the fire off, disconnect the manometer and refit the test nipple screw. Light the fire and check for gas soundness.

## 12.0 BRIEFING THE CUSTOMER

All instructions must be handed to the user for safekeeping. Show the customer how to light and control the fire.

After commissioning the appliance, the customer should be instructed on the safe use of the appliance and the need for regular servicing. Frequency of service depends on usage, but **MUST** be carried out at least once annually.

Advise that cleaning of the fire maybe achieved when the fire is cold using a damp cloth and mild detergent on most surfaces. Advise that the fire will emit a "newness" smell for a time after initial commissioning and that extra ventilation may be needed during this time. Recommend that a guard be used for the protection of the young, pets, the elderly and the infirm.

## 13.0 SERVICING

Isolate the fire from the gas supply. Ensure that the fire is fully cold before attempting service. A suggested procedure for servicing is detailed below. For specific servicing instructions, see relevant sections.

1. Lay out the dustsheet and tools.
2. Remove the hood and front fret.
3. Remove the glass door assembly (2 screws) and clean carefully.
4. Carefully remove the ceramic components.
5. Inspect the catalyst and clean if necessary with a soft brush.
6. Disconnect the gas supply and remove the two securing screws in the tray legs.
7. Lift away burner tray assembly.
8. Strip off the burner pipes and clean thoroughly.
9. Clean the injector, pilot assembly and the burner tube. Do not attempt to remove the pilot injector.
10. Re-assemble and re-fit the burner tray.
11. Turn on the gas supply and leak test. Check pilot and burner for good ignition.
12. Refit the ceramics, paying attention to the final layout as per installation section.
13. Refit the glass door assembly, ensuring a good seal.
14. Refit the hood.
15. Check any purpose provided ventilation is un-obstructed.
16. Light the fire and test setting pressures.
17. Check safe operation of the appliance.

## 13.1 CLEANING THE COALS

Remove the fire front casting and place to one side. Remove the hood. Remove the glass door assembly. Remove the ceramic components. Gently clean in the open air. Be careful not to create dust from the coals. Where necessary replace damaged components with genuine spares. Seal scrap ceramic components in plastic bags and dispose at proper refuse sites as directed. If using a vacuum cleaner a HEPA filtering system is recommended.

Re-fit the coals by referring to the relevant section of these instructions. Refit the glass door assembly ensuring a good seal. Refit the hood.

## 13.2 SERVICING THE BURNER TRAY AND GAS ASSEMBLY

Firstly, remove the hood and front fret, the glass panel, coals and ceramics, and disconnect the gas connection at the isolator elbow. Remove the burner tray by removing the 2 securing screws through the legs. The gas connections to the gas valve can now be released. Remove the pilot and main burner pipes and blow through to dislodge any debris. Remove the injector elbow and blow through to make sure it is entirely clear.

When replacing the injector elbow, ensure that it aligned accurately with the centre of the mixer tube entering the burner and not at an angle. Always make sure that the nut securing the injector elbow is tight. Unclip the pilot lint gauze and clean with a soft brush. Clean the exterior of the pilot assembly with a soft brush and blow through the flame ports on the pilot head. Check the aeration holes are free from lint or dirt. The pilot assembly can be removed if required by disconnecting the electrode lead, gas pipe and unscrewing the mounting screws and lifting away.

The pilot assembly is a non-serviceable item and should not be taken apart. Aeration holes must be absolutely clear internally for proper operation. **NEVER MODIFY OR BEND THE THERMOCOUPLE TO MAKE THE PILOT STAY ALIGHT.** If the pilot will not stay lit there may a problem with dirt, the gas supply, or the thermocouple needs replacement. Modifications are dangerous and can have a serious unseen effect on safety.

The gas valve is a non-serviceable item. If this needs replacement, remove the two M5 securing screws and remove the complete valve. Replacement must be done using original manufacturers parts.

Re-assembly in the reverse of removal.

## 13.3 PILOT ASSEMBLY

Remove the burner tray as in relevant section and pilot unit as described. Clean the pilot assembly with a soft brush and blow through. Check the aeration holes are free of any dirt or lint. Clean thoroughly internally, the connection can be removed from the base of the pilot unit using two spanners to make cleaning easier. Do not damage or try to remove the pilot injector.

The unit is factory set and the only check necessary is to ensure the spark gap is correct. See specifications for gas setting.

**NEVER MODIFY OR BEND THE THERMOCOUPLE TO MAKE THE PILOT STAY ALIGHT.** If the pilot will not stay lit there is a problem with dirt, the gas supply, or the thermocouple needs replacement. Modifications are dangerous and can have a serious unseen effect on safety and therefore **MUST** not be done. Replacement must be done using original manufacturers parts.

## 13.4 CATALYST

It is recommended that the catalyst is inspected for signs of damage and dirt during routine servicing procedures. The expected life of the catalyst is in excess of 11,000 hours (10 years of normal use). After this time the catalyst should be replaced.

If there are any deposits of dirt or soot on the catalyst they should be cleaned with a soft brush and a vacuum cleaner. If removed for cleaning ensure the seals are in good condition before replacing the catalyst. New seals will usually be required.

## 13.4 CATALYST (continued)

The performance of the catalyst may be checked using a Carbon Monoxide (CO) analyser as follows. Position gas sample probe directly over the catalyst via the lower outlet louvre, in the centre of the upper firebox. Ignite the fire as per the operating instructions, and run at Maximum setting for 15 minutes. The Carbon Monoxide (CO) concentration of the gases emitted by the Catalytic Converter should not exceed 15 p.p.m. (0.0015%).

**Important:** *The temperature of the gases emitted by the catalytic converter is in excess of 400 °c. Measuring gas of this temperature may damage some types of gas analysers. If in doubt consult the equipment manufacturer.*

If replacing the catalyst, remove the hood and front fret, the glass panel. The catalyst is located behind the top front panel (6 screws), remove these screws and the top panel. Withdraw the catalyst and its seals from the firebox and discard.

Refit a new catalyst and seals in reverse order.

## 13.5 TESTING FOR FIREBOX LEAKAGE

Appliances that are several years old or have been extensively dismantled should be checked for soundness. It is important that all the products of combustion pass through the catalytic converter at the top of the firebox before leaving the appliance.

The firebox is heated by lighting for a few minutes to provide a flow through the firebox and catalytic converter. The burner is then shut off and a smoke pellet or match introduced at the base of the fire underneath the burner tray. Large quantities of smoke will emerge from the top of the appliance but none should emerge from around the door. It is important to note that the appliance can never be expected to be 100% smoke tight and small quantities of smoke may be seen in corners of joints and mating faces etc without affecting safety when the fire is actually in operation.

## 13.6 REPLACING THE BATTERIES (remote control versions only)

**Handset** - Remove cover from rear of handset and insert 1 x 'PP3' (9 volt) battery - Replace cover.

**Appliance** - **Ensure appliance is off and cool.** Remove cover from top of receiver box. The cover is protected by reflective foil, and located towards the right hand side, underneath the burner unit. Insert 4 x 'AA' (1.5 volt) batteries - Replace cover.

## 14.0 TROUBLESHOOTING GUIDE

### *Fire sparks but pilot does not light*

No gas to fire - check isolators are open.  
Pipe work blockage or kink - rectify.  
Air not fully purged - re-purge supply or wait longer.  
Spark earthing to metal work - check gap is correct.  
Blocked pilot - check and replace where necessary.

### *Pilot lights but then goes out*

Severe restriction in gas supply - clear obstruction.  
Faulty thermocouple - replace pilot unit.  
Blocked pilot - replace.  
Blocked lint gauze - clean.  
Hold control knob in for longer.  
**NEVER MODIFY OR BEND THE THERMOCOUPLE TO MAKE THE PILOT STAY ALIGHT.** If the pilot will not stay lit there is a problem with dirt, the gas supply, or the thermocouple is in need of replacement. Modifications are dangerous and can have a serious unseen effect on safety.

### *Fire does not spark at pilot*

Electrode lead detached - refit.  
Spark gap too large or small - reset correctly.  
Faulty piezo unit - replace gas valve.  
Debris shorting out electrode - clean.  
Spark shorting to metalwork under tray - realign electrode lead.

***Fire runs for a time and then cuts off***

Check pilot has extinguished. (As the room temperature rises the thermostat will regulate the output of the fire down to pilot, as the room temperature falls, the main burner will relight)

Ensure room sizing and ventilation are adequate (See Section 3.1 and 4.1)

Loose or faulty thermocouple - rectify.

Blocked pilot - replace.

Dirt or lint in pilot aeration hole or on the lint gauze - clean thoroughly.

***NEVER MODIFY OR BEND THE THERMOCOUPLE TO MAKE THE PILOT STAY ALIGHT.*** If the pilot will not stay lit there is a problem with dirt, the gas supply, or the thermocouple needs replacement. Modifications are dangerous and can have a serious unseen effect on safety.

***Pilot flame shrinks when fire is on high***

Poor gas flow to fire - check pressure with fire on high.

If pressure is low - remove any restriction in pipework or valve.

Check all isolators are adequately sized and fully open.

Check meter pressure is adequate.

***NEVER MODIFY OR BEND THE THERMOCOUPLE TO MAKE THE PILOT STAY ALIGHT.*** If the pilot will not stay lit there is a problem with dirt, the gas supply, or the thermocouple needs replacement. Modifications are dangerous and can have a serious unseen effect on safety.

***Fire smells when first lit or in use***

Newness smell from brand new appliance. (See Preliminary Notes section)

Leakage occurring - Carry out leakage test and rectify any problems.

Low temperature sealants or combustible materials used in incorrect positions.

# USER INSTRUCTIONS

<i>Section</i>	<i>Content</i>	<i>Page No</i>
1.0	Important Notes	1
2.0	Fire Front	2
3.0	Clearances to Combustibles	2
4.0	Ventilation and Room Size	2
5.0	Operating Instructions	2
6.0	Combustion Spillage Monitoring System	3
7.0	Cleaning	3
8.0	Coals and Ceramics	4
9.0	Servicing	4
10.0	List of Replacement Parts	4

## 1.0 IMPORTANT NOTES

The installation and Servicing of this fire MUST only be carried out by a competent person (such as a CORGI registered fitter) in accordance with the Gas Safety (Installation and Use) Regulations 1998, the relevant British Standards, Codes of Practice, the Building Regulations and the manufacturer's instructions.

Failure to comply with the above recommendations could lead to prosecution and invalidate the appliance warranty.

Please ensure you are handed all of the manufacturers documents on completion of the installation. This will include these instructions.

Always keep a note of the installer's name and address, the original purchase receipt and the date of installation for future reference.

The fire should be serviced regularly to ensure continued safe operation. See the servicing section of the Installation Instructions for further reference.

Parts of this appliance become naturally hot during use. It is recommended that a suitable fireguard conforming to BS 6778 or BS 6539 is used, especially where young children, pets, the elderly or infirm are concerned.

The manufacturer of this appliance considers all surfaces as working surfaces with the exception of the control knob, control panel and ash pan cover.

This appliance is intended as a secondary source of heat only, and should not be used in a room without some form of background heating present.

Combustible items, such as flooring and furniture and soft wall coverings (such as blown vinyl or embossed paper), low temperature surrounds etc may discolour if fitted too close to the fire. See relevant section for further details on clearances to combustibles. No combustible materials or flooring should protrude onto the hearth.

This appliance incorporates a combustion monitoring system (Oxygen Depletion Sensor).

DO NOT burn any foreign material on this fire. The coals must be of the correct type and laid out in accordance with the relevant section of these instructions. Failure to do so may create a hazard or lead to soot-ing. Under no circumstances shall the appliance be used if the glass front door or panel has been removed, damaged or is open.

The integral catalytic converter should be checked by the installer upon servicing to ensure there are no defects or obstructions that may prevent the satisfactory flow of combustion products.

The expected life of the catalytic converter is in excess of 11,000 hours (10 years of normal use). After this time the catalytic converter should be replaced.

## 2.0 FIREFRONT

This fire is supplied with a particular style of fire front. Use of the fire front will ensure an adequate airflow under the firebox for the correct functioning of this appliance. Compliance with safety standards cannot be guaranteed when another style of front is used.

## 3.0 CLEARANCES TO COMBUSTIBLES

A non-combustible shelf may be fitted to within 100mm of the top edge of the fire frame. However the items placed on it must also be able to withstand high temperatures.

A combustible shelf may be fixed to the wall above the fire, providing that it complies with the dimensions given below.

<i>Maximum depth of shelf</i>	<i>Minimum distance from hearth to underside of shelf</i>
180mm	850mm
100mm	790mm

Combustible materials, such as wood, may be fitted to within 100mm (4in) of either side of the frame of the appliance, providing the forward projection does not exceed 100mm (4in).

Any combustible sidewalls must be at least 500mm to the side of the radiant heat source.

As with all heating appliances any decorations soft furnishings and wall coverings (i.e. flock, blown vinyl and embossed paper) positioned too close to the appliance may discolour or scorch.

## 4.0 VENTILATION AND ROOM SIZE

Purpose provided ventilation of 100cm<sup>2</sup> is required for this appliance. An openable window or louvre is also required.

Any ventilation fitted must comply with BS 5871 part 2 and BS 5440 part 2. Ventilation fitted under, or within immediate vicinity of the appliance must not be used as it may adversely effect performance of the combustion monitoring system (ODS) system.

The requirements of other appliances operating in the space or room must be taken into consideration when assessing ventilation requirements, this will have been carried out by your CORGI registered installer.

A supply of fresh air into the room is advisable to maintain temperatures within limits.

The appliance **MUST NOT** be installed in a bedroom, bathroom or any sleeping area.

For Republic of Ireland, see relevant rules in force.

The room size should be a minimum of 40m<sup>3</sup> to allow adequate circulation of air and ensure the correct operation of the fire. This volume may include adjacent spaces, but these spaces must not be separated by a door.

## 5.0 OPERATING INSTRUCTIONS - MANUAL CONTROL MODELS

The pilot is visible through the small hole in the left hand side of the coal bed front edge.

Turn the thermostat knob to position 6

Turn control knob slightly left towards the ignition position until reaching the stop, press down and hold for 5 seconds (only pilot gas is flowing)

Continue pressing down the knob while turning further to the left to activate the piezo spark, holding the knob down for a further 10 seconds after the pilot has been lit. If the pilot does not light repeat the previous steps.



## 5.0 OPERATING INSTRUCTIONS (continued)

Upon lighting and after the further 10 seconds, release the knob and turn further to the left to the ON position. The main burner will light and be controlled in accordance with the thermostat knob setting. Adjust the thermostat knob to the desired setting, the higher the number, the higher the room temperature will become prior to the fire reducing its heat input.

The fire will operate between maximum and minimum temperature settings, however if the room temperature continues to rise the main burner may switch off. As the room temperature then falls the main burner will light again.

If the pilot is extinguished during use of the fire, you **MUST** wait ten minutes before repeating the ignition procedure. To turn the main burner OFF whilst keeping the pilot flame lit, turn the control knob to the pilot position, only the pilot will remain lit. To shut the fire off completely press the knob down and continue turning to the right from the pilot position to the OFF position.

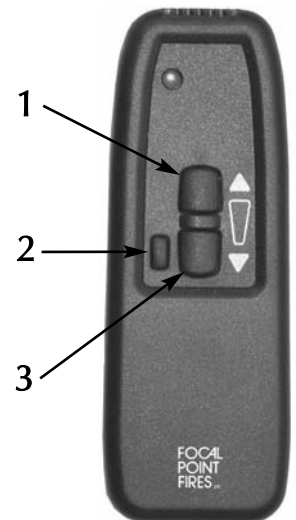
A safety interlock prevents re-ignition of the pilot flame until the thermocouple has cooled sufficiently to allow the magnetic valve unit to reset itself.

## 5.1 OPERATING INSTRUCTIONS - REMOTE CONTROL MODELS

The fire may be operated in exactly the same way as manual control models - see previous section. For added convenience a remote control handset is also provided. This unit may be used to adjust the thermostat setting of the fire between high setting (6) and low setting (1). It does not permanently turn the fire on or off.

The remote control handset incorporates an inbuilt safety feature to prevent the main burner being activated or turned up accidentally. It is necessary to press button 1 and 2 (see illustration) simultaneously to turn the fire up.

To turn the fire down press button 3 only.



## 6.0 COMBUSTION MONITORING SYSTEM

This fire is fitted with a combustion monitoring safety device (ODS). If the fire shuts down during use for no apparent reason then several reasons may be suspected. If a door or window has been opened creating a draught, then pilot disturbance could be the problem and removal of the draught should resolve this. The fire can then be re-lit in accordance with the previous section. A grommet seal may also be missing from the firebox causing abnormal draught to shut down the pilot. Call your installer to check seals are properly fitted.

If pilot disturbance is not the cause, then the ODS safety system may be in operation. Switch the appliance OFF, call in your installer to check the appliance and ventilation. Remedial work must be carried out as required. **DO NOT** allow the appliance to be used until the appliance and installation is passed as safe. If the pilot continues to be extinguished you must call your installer to check the operation of the complete appliance.

## 7.0 CLEANING

Before carrying out any of the following operations ensure that the fire is OFF and completely cold.

Debris that may form on the fire bed should be periodically removed by a competent person. Large deposits could indicate incorrect coal placement. This should be remedied by a competent person and the fire serviced before further use. To gain access to the fire bed, remove the hood and glass door assembly. The hood should be lifted and pulled outwards. Next remove the door by removing the 2 screws and disengaging the 2 lugs at the bottom. The glass can be cleaned using a proprietary hob cleaner. Test on a small area first.

**FIREFRONT** - Any dust accumulating in the fire front may be removed using a vacuum cleaner or dry cloth. Heavy stains may be removed by using a damp cloth and mild household detergent. Brass parts of the fire front may be cleaned using a suitable brass cleaner. Replace the front centrally against the fire after cleaning.

**PAINTED AREAS** - These can be cleaned using a dry cloth.

## 8.0 COALS AND CERAMICS

Refer to the relevant section of the Installation section of this booklet for instructions on cleaning and replacing the coals and ceramics.

## 9.0 SERVICING

The fire should be checked on an annual basis to ensure it is working safely and that there is no excessive build up of soot. The frequency of service will depend on usage but **MUST** be carried out at least once annually. Servicing must be carried out by a competent person, such as a CORGI registered installer.

Cleaning of the coals may be carried out by following the instructions given in the Installation section. The Installation instructions carry full servicing details for the use by the installer.

## 10.0 LIST OF SPARE PARTS

<i>PART NO.</i>	<i>ITEM</i>
FT003830/0	Pack of 4 broken coals
FT003815/0	Ceramic combustion matrix
FB004050/0	Ceramic brick panel
FB004225/5	Glass door assembly
FT004135/5	Convactor Hood
FT003710/5	Pilot assembly
FT003835/5	Burner tray
Please enquire	Gas valve
Please enquire	Catalyst (seal kit must also be supplied)
Please enquire	Seal kit for Catalyst
Please enquire	Decorative frame
Please enquire	Decorative fret